

**DWM-311-G**

**5G M2M Modem**



**Key Features**



5G  
SA & NSA



2.5G Wired  
Reliability



SMS Event  
Management



VPN  
Security



Industrial  
Grade Design



Management  
Platform

**Applications**

- Parking Lot
- Small Shop
- Surveillance
- Self-Service

The DWM-311-G 5G M2M Modem offers cutting-edge 5G-NR and LTE dual-mode cellular connectivity. This modem is equipped with a 2.5-Gigabit Ethernet port, perfect for connecting local devices that require high throughput, ensuring optimal performance for demanding applications.

**Enhance EV Charging with 5G Speed**

The DWM-311-G, with its ultra-fast 5G speeds and low latency, provides robust connectivity designed to streamline EV charging operations. It enables real-time monitoring of charging stations and enhancing the user experience. Featuring secure VPN protection, it ensures safe data transmission and remote access, protecting against external threats and simplifying maintenance to further drive cost-efficiency.

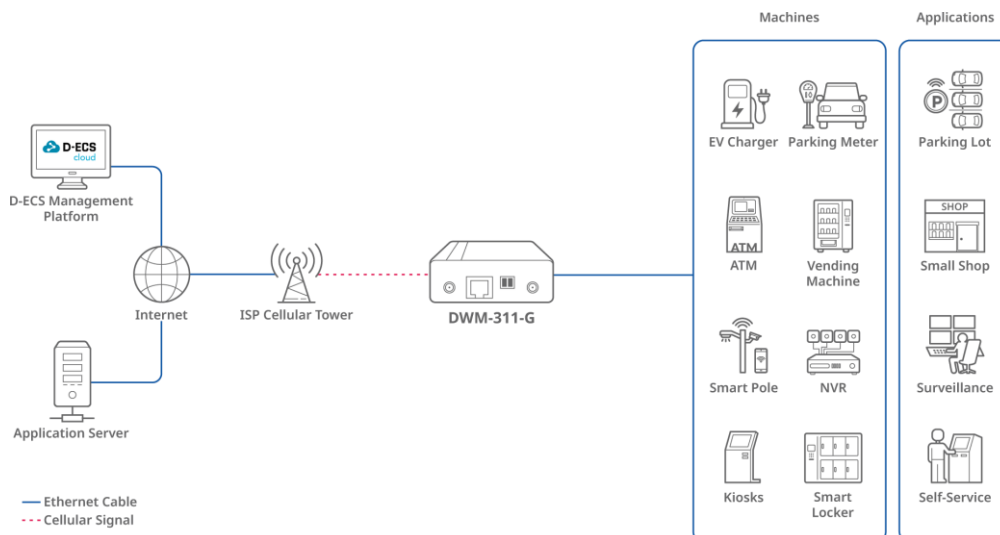
**Plug and Play for Easy Installation**

Simply insert a Micro-SIM card and power up; the DWM-311-G instantly connects your M2M devices to the high-speed 5G cellular network. This modem's rugged, compact design is perfect for any setting, including harsh environments. Designed for effortless, real-time remote access, it provides reliable long-distance connectivity ideal for various applications. It supports 4G/5G switching, making it stable connectivity and ideal where quick setup and robust connectivity are crucial.

**Robust Build Quality**

The industrial-grade casing provides reliable high-speed connectivity in extreme conditions. The corrosion resistant zinc-plated steel case with wide operating temperature range and humidity tolerance mean that the DWM-311-G is ready for the most demanding M2M applications in virtually any environment. The DWM-311-G is also engineered to safely accept wide input voltage (VDC 5~32V) fluctuations, providing more flexibility and convenience when selecting a suitable power source, making your M2M installations significantly more reliable and much easier to deploy.

**Connection Diagram**



## Specifications

### Device Interface

- Cellular: 3GPP Rel. 16, 5G (sub-6 GHz), 4G (DL Cat 19/UL Cat 18)
- SIM Slot: 1 x SIM (Micro SIM)
- Ethernet: 1 x 2.5GE LAN port
- Power Input: DC 5-32 V terminal block
- Antenna Connectors: 4 x SMA (F) cellular

### Performance<sup>1</sup>

- Maximum Cellular Data Throughput:
  - 5G NSA: 3.4 Gbps (DL) / 550 Mbps (UL)
  - 5G SA: 2.4 Gbps (DL) / 900 Mbps (UL)
  - LTE: 1.6 Gbps (DL) / 200 Mbps (UL)

### WAN

- WAN Interface: Cellular
- Cellular: NAT, bridge
- Connection Monitoring: Ping query reboot

### Network

- LAN & VLAN: DHCP server
- DDNS: DynDNS, No-IP, dynamic DO

### Services

- Event Management: SMS, e-mail

### VPN

- VPN Tunnel: OpenVPN

### Security

- Firewall: Port forward

### Administration

- Management: D-Link D-ECS<sup>2</sup>
- Maintenance: Web UI
- System: FW upgrade, reboot and reset

### Monitoring

- Device Status: Connection information
- Cellular Status: Cellular information/status, cellular signal quality
- Security: VPN status

### Operating Environment

- Operating Temperature: -30 to 70°C (-22°F to 158°F)
- Storage Temperature: -40 to 85°C (-40°F to 185°F)
- Operating Humidity: 10% to 95% non-condensing
- Storage Humidity: 0 to 95% non-condensing
- Dimensions: 77.4 x 75.5 x 26 mm

### Certifications and Approvals

- Certifications: CE, UKCA, FCC, PTCRB, VCCI, JATE, TELEC
- Approvals: AT&T, Verizon, T-Mobile
- Cyber Security: EN 18031-1, EN 18031-2, EN 303645

### Package Contents (Standard)

- 4 x Cellular SMA Antennas
- 1 x RJ-45 Cable
- 1 x Power Adapter
- 1 x Terminal Block (2-pin)

Actual performances may vary due to settings, cabling, temperature, network configuration, interface, device compatibility, environmental and on-site conditions, and other similar factors. References to power capability, signal or processing speed, signal range or distance, data encryption, storage capacity, display properties, or other performance metrics are based on optimal conditions derived from industry standards and provided for informational purposes only. Specifications may be subject to change without prior notice.

## Available Versions

### EU SKU (HW: A2)

5G NR	n1/n3/n5/n7/n8/n20/n28/n38/n40/n41/n71/n75/n76/n77/n78
4G LTE	FDD: B1/B3/B5/B7/B8/B20/B28/B32/B71
	TDD: B38/B40/B41/B42/B43

### Global SKU (HW: A3)

### Japan SKU (HW: A4)

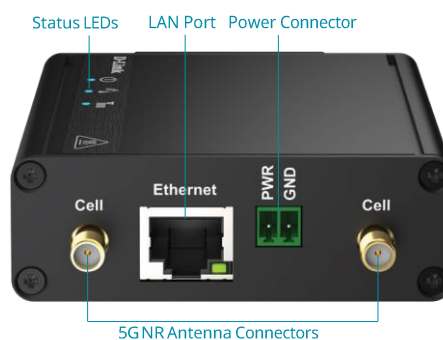
5G NR	n1/n2/n3/n5/n7/n8/n12/n13/n14/n18/n20/n25/n26/n28/n29/n30/n38/n40/n41/n48/n66/n70/n71/n75/n76/n77/n78/n79
4G LTE	FDD: B1/B2/B3/B4/B5/B7/B8/B12/B13/B14/B17/B18/B19/B20/B25/B26/B28/B29/B30/B32/B66/B71
	TDD: B34/B38/B39/B40/B41/B42/B43/B46(LAA)/B48

1 Data rates are theoretical. Data transfer rate depends on network capacity and signal strength.

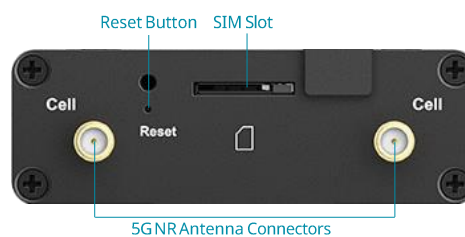
2 You only have to pay a M2M device license fee when applying for DECS license.

## Hardware

### Front View



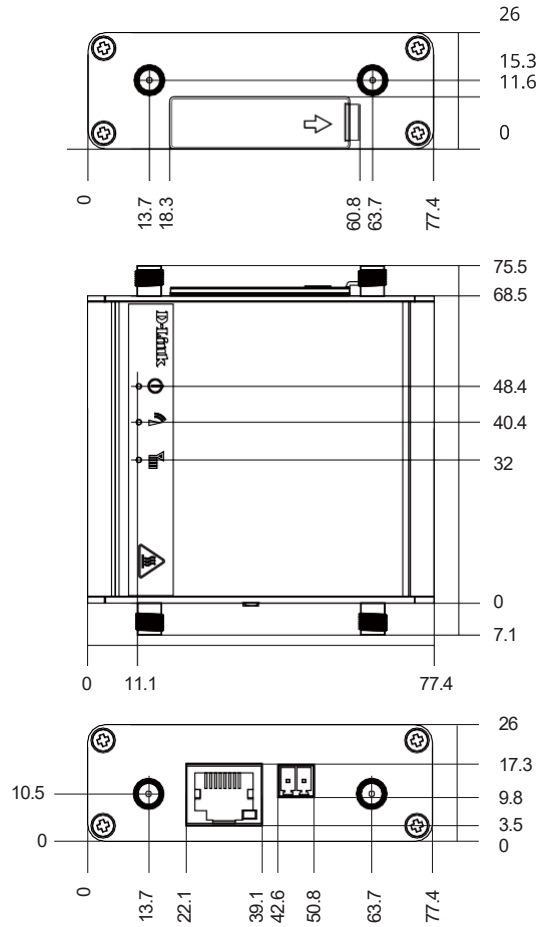
### Back View



## Spatial Measurement

The following diagrams provide the product's physical dimensions measured from top, front, left, and right views for installation and integration reference.

Unit: mm



## Mounting Space Requirements

