



# DWM-311-TP 4G M2M PoE Modem

## Key Features

- Plug & Play
- PoE Connectivity PSE
- SMS Event Management
- VPN Security
- Industrial Grade Design
- Management Platform

D-Link's DWM-311-TP 4G M2M PoE modem provides 4G-LTE cellular capability. Equipped with a Fast Ethernet port and supporting 802.3af/at PoE, this modem ensures rapid and reliable connection to any local device, providing both power and data over a single cable for streamlined deployment.

## Empower Weather Monitoring with 4G

The DWM-311-TP 4G M2M PoE modem harnesses the power of 4G to deliver seamless data transfer, ensuring dependable connectivity. Featuring dual SIM slots with failover capabilities, it provides uninterrupted service even if one network is down. Ideal for environmental sensing in a wide range of application fields, this plug-and-play modem simplifies installation for quick deployment. The DWM-311-TP offers reliable connectivity for real-time monitoring of temperature, humidity, and meteorological data.

## Empower Your M2M Network with PoE+

The DWM PoE Modem Series, featuring 802.3af/at Power over Ethernet (PoE+) technology, delivers both data and power through a single Ethernet cable. As a true PSE (Power Sourcing Equipment) solution, it streamlines M2M communication for IoT applications, reducing the need for separate electrical infrastructure and lowering installation costs. Ideal for powering surveillance cameras, digital signage, wireless access points, and IoT sensors, it offers flexible device placement without extra wiring. Its PD-Alive feature minimizes downtime, ensuring continuous operation, while PoE scheduling optimizes power use and cuts energy costs.

## Applications

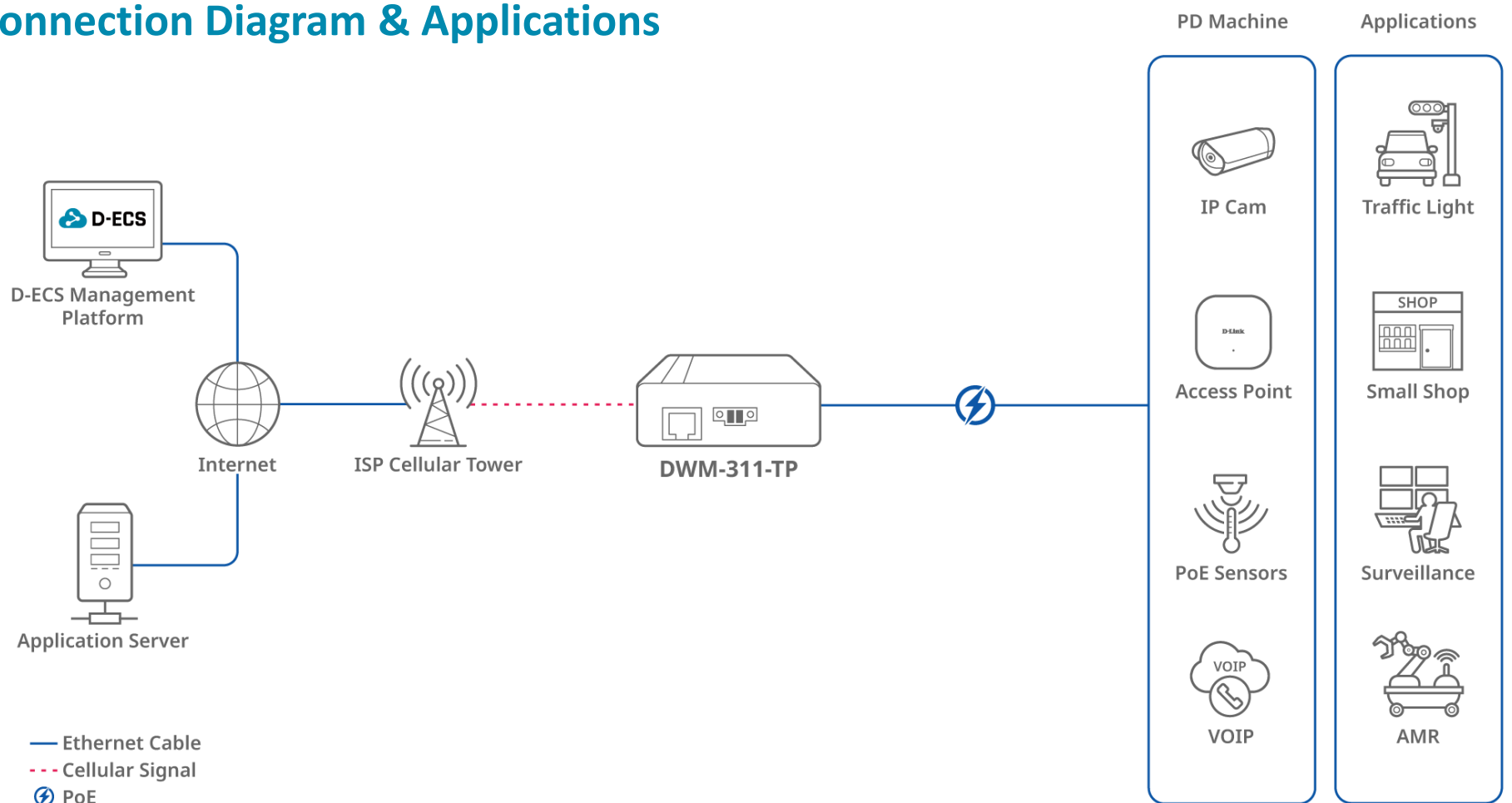
- Traffic Light
- Small Shop
- Surveillance
- AMR

## Robust Build Quality

The industrial-grade casing provides reliable high-speed connectivity in extreme conditions. The corrosion-resistant zinc-plated steel case with wide operating temperature range and humidity tolerance mean that the DWM-311-TP is ready for the most demanding M2M applications in virtually any environment. Convenient DIN-rail mounting options allow the DWM-311-TP to be mounted virtually anywhere to optimize signal quality.

The DWM-311-TP is also engineered to safely accept wide input voltage(VDC 48~57V) fluctuations, providing more flexibility and convenience when selecting a suitable power source, making your M2M installations significantly more reliable and much easier to deploy.

## Connection Diagram & Applications



# Specifications

## Device Interface

- Cellular Module: 4G LTE-Cat.4
- SIM Slot: 1\*SIM(4FF Nano)
- Ethernet: 1\*RJ45 LAN FE with PoE-PSE 802.3at
- Power Input: DC 48-57V (TB)(2-pin)
- Antenna Connector: 2\*SMA(F)-Cellular

## Performance<sup>1</sup>

- Maximum Cellular Data Throughput:  
LTE: 150 Mbps (DL) / 50 Mbps (UL)

## WAN

- Cellular: NAT, Bridge
- Network Monitor: ICMP Checking

## Network

- DHCP : DHCP Server
- Port Forward: Virtual Server
- DDNS: DynDNS, No-IP, Dynamic DO
- PoE: Power Control, ON/OFF by Network checking, Scheduled ON/OFF
- IPv4/v6

## Security

- VPN Tunnel: OpenVPN
- VPN Usage: Client mode

## Firewall

- Firewall: IPS
- Access Control: Packet Filter, MAC Filter

## Administration

- Configuration: Web UI, SSH
- Management: D-Link D-ECS<sup>2</sup>
- System: FW Upgrade, Reboot & Reset, System Time, NTP Service
- Scheduling: reboot rule policy, working day
- SMS Service: SMS Inbox, SMS Event Management

## Status

- Network Status: Connection information, Cellular Signal Quality
- Cellular Mobile: Cellular Modem Information/Status, Cellular Network Status, Cellular Signal Quality
- Security: VPN Status

## Environment

- OP/Store Temp.:  
Operating Temperature -30 to 70 °C (-22 °F to 158 °F)  
Storage Temperature -40 to 85 °C (-40 °F to 185 °F)
- Humidity:  
Operating Humidity 10% to 95% non-condensing  
Storage Humidity 0 to 95% non-condensing
- Dimensions: 78 x 70 x 29 mm

## Standard Package

- 2\* Cellular SMA Antennas
- 1\* RJ-45 Cable
- 1\* Power Adapter
- 1\* Terminal Block (2-pin)
- 1\* DIN-Rail kit

## Available Versions

### SKU List<sup>3</sup>

#### EU SKU (HW: A1): 4G LTE

- LTE-FDD: B1/B3/B7/B8/B20/B28A
- LTE-TDD: B38/B40/B41

#### US SKU (HW: A2): 4G LTE

- LTE: B2/B4/B5/B12/B13/B14/B66

## Certifications & Approvals

### Certification

- CE
- UKCA

<sup>1</sup> Data rates are theoretical. Data transfer rate depends on network capacity and signal strength.

<sup>2</sup> D-ECS License fees will apply.

<sup>3</sup> Supported frequency band is dependent upon hardware SKU.

